



The Cookson Company, Inc.

THE PREFERRED

ROLLING DOOR AND GRILLE

INTRODUCING...



FIRE
Control[®]
ACCORDION DOORS
by Cookson



"S" Label

For Openings requiring building code compliant emergency egress
An alternative to banks of fire rated swing doors
Openings with minimal headroom



SOUND
Control[®]
ACCORDION DOORS
by Cookson

STC Rating 45
per ASTM E 90

For Openings requiring space separation with reduced sound transmission
Educational, Governmental, Health Care, and Religious Facilities
Hotels, Airports, Community Centers, Conference Centers and Office Buildings



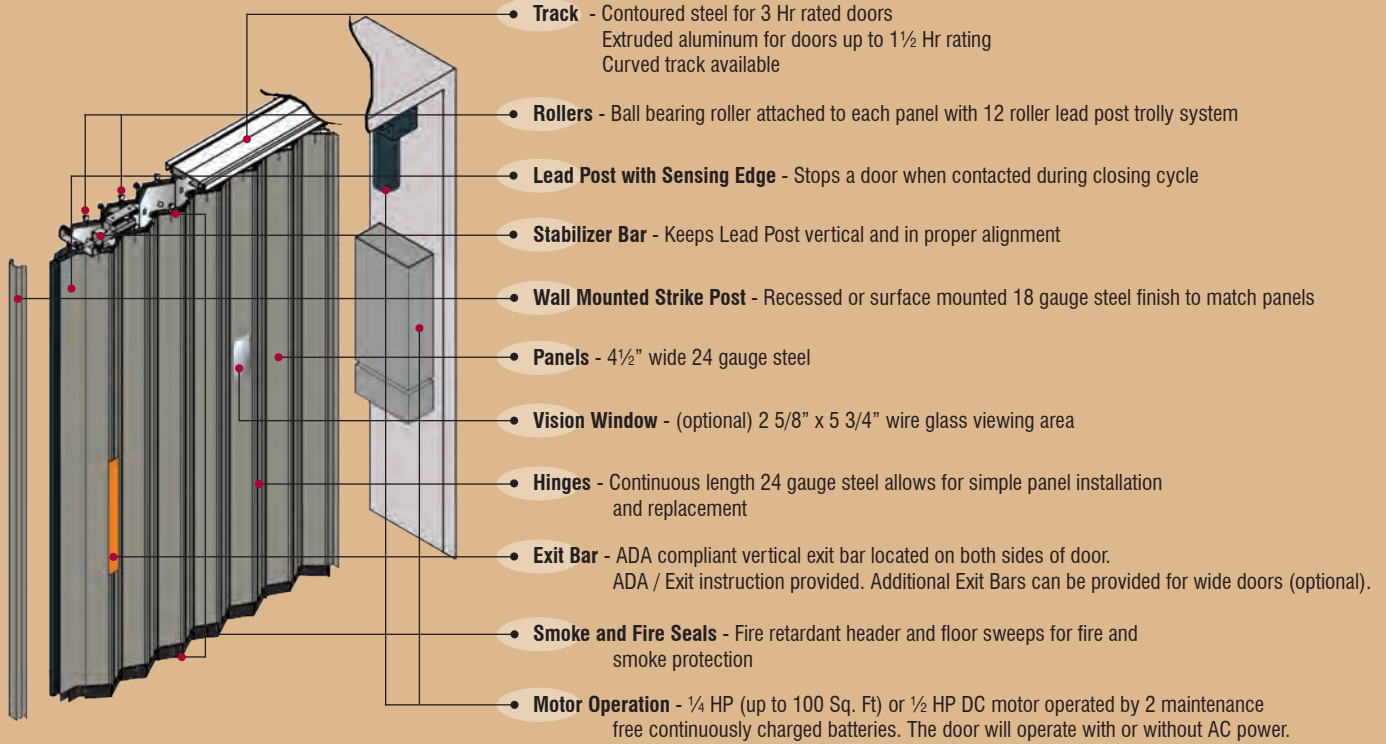
SIGHT
Control[®]
ACCORDION DOORS
by Cookson

For Economical Space Separation
Educational, Governmental, Health Care, and Religious Facilities
Hotels, Airports, Community Centers, Conference Centers and Office Buildings

For more information go to COOKSONDOOR.COM

FIRE KONTROL ACCORDION DOOR

Single and Bi-Parting Doors - Single door is shown, Bi-Parting Doors are available



Size Limitations: 3' 6" to 22' 0" High
Maximum 1,600 Square Feet
Weight: 5.5 Lbs per Square Foot when fully closed

Finish - Panels and Hinges Platinum Gray FinalCote
Track White ColorCote
ColorCote powder coated finish available in 180 Standard Colors (optional)

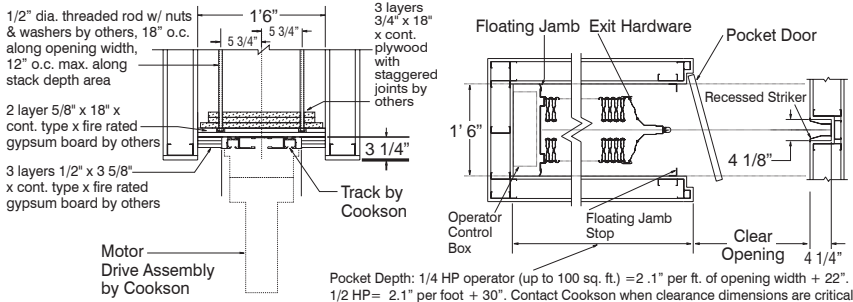
Operation

Upon activation of a central alarm system or smoke detector, Fire Kontrol Accordion Door automatically closes to prevent the spread of fire and smoke. When in the activated (emergency) mode, pressure on the Exit Bar will cause the door to open 54", pause for 3 seconds and then automatically close. The doors can also be opened manually by pushing against the lead post with sensing edge.

- UL 3, 1 ½, 1, ¾, ½, and 1/3 hour ratings
- UL "S" smoke label
- Factory Mutual Listing
- California State Fire Marshal Listing
- STC 41 rating
- Compliant with the American with Disabilities Act Accessibility standards
- Acceptable for use in openings that are part of a required means of egress
- ICC-ES Evaluation Report available



Head Detail (1½ Hour Straight Track Design Shown) Plan View



Security

Optional security mode so door can be used for security as well as fire protection. In security mode the door is secured in the closed position and Exit Bar is inactive. Upon an alarm activation the Exit Bar becomes operational.

Applications

- Openings requiring building code compliant emergency egress
 - Elevator Lobbies
 - Wide Exits
 - Fire Rated Corridors
- Alternative to banks of fire rated swing doors for:
 - Atriums
 - Hotels and conference centers
 - Casinos
 - Sports Arenas
 - Medical and Educational Facilities
- Openings with minimal headroom
- Openings with a radius or a curve



The Cookson Company, Inc.

P.O. Box 23880
Phoenix, AZ 85063

Phone: (800) 390-8590
Fax: (866) 448-6804

Visit our website at Cooksondoor.com
Or e-mail us at Marketing@Cooksondoor.com
[Facebook.com/TheCooksonCompany](https://www.facebook.com/TheCooksonCompany)

© 2012